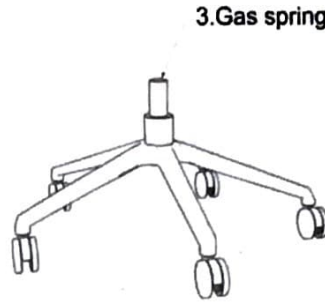
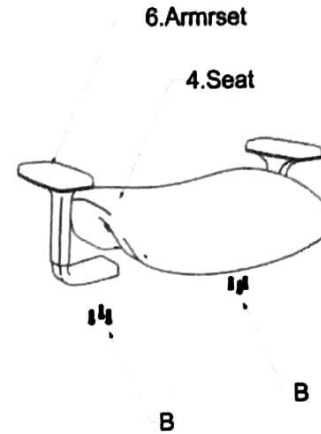


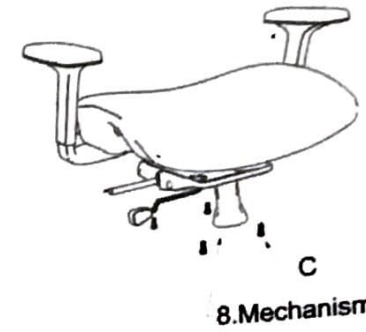
① Attach castor on base



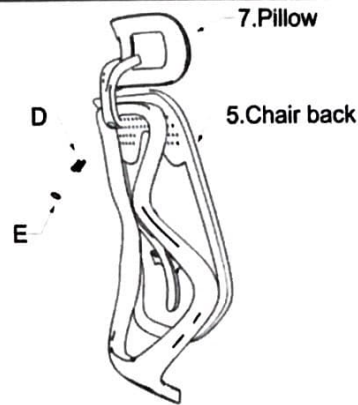
② Attach gas spring on base



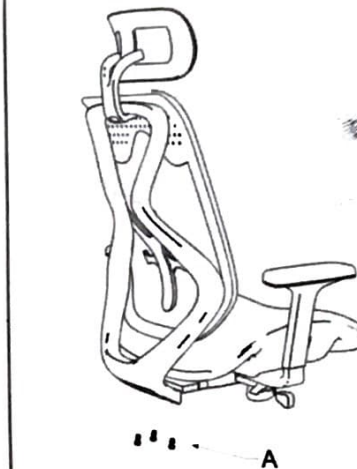
③ Install armrest on seat



④ Install mechanism on seat



⑤ Install headrest on back



⑥ Install back on seat



⑦ Attach chair body on base

SCREW PARTS WITH SPARE

A	B	C
M8*16	M8*25	M8*20
D	E	Allen key
		M4 1PC
M5*25		

ASSEMBLY INSTRUCTION

